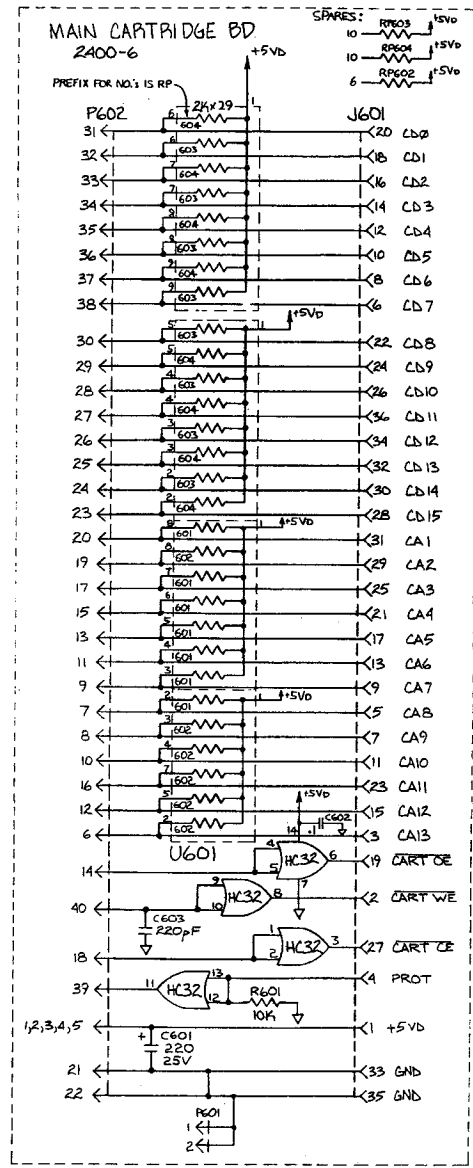
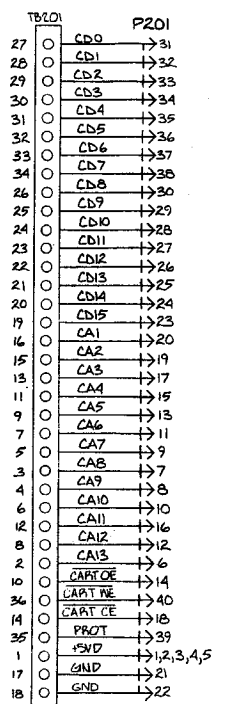
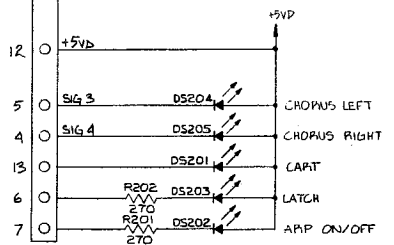
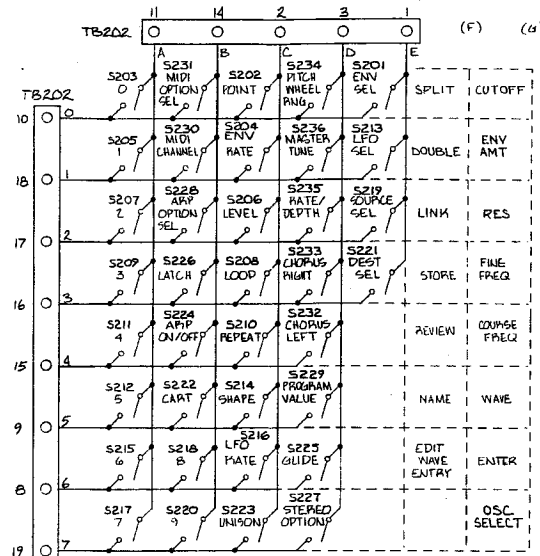


13



3. CAPACITANCE IN MICROFARADS
 2. ALL RESISTORS 1/4W, 5%
 1. RESISTANCE IN OHMS
 NOTES: UNLESS OTHERWISE SPECIFIED:

REVISIONS			
REV	DESCRIPTION	DATE	APPROVED

13

13

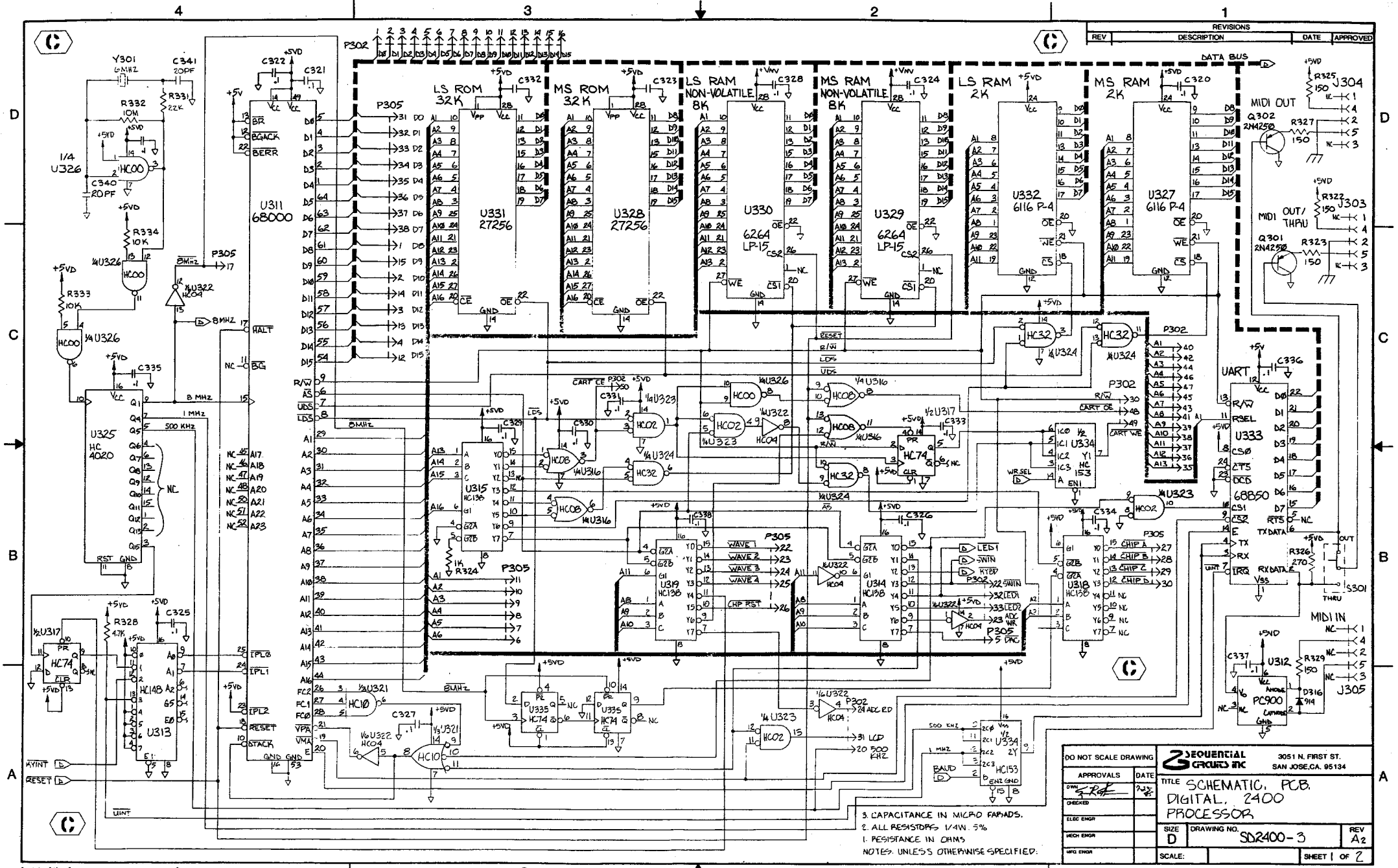
SEQUENTIAL CIRCUITS INC. 3051 N. FIRST ST. SAN JOSE, CA. 95134

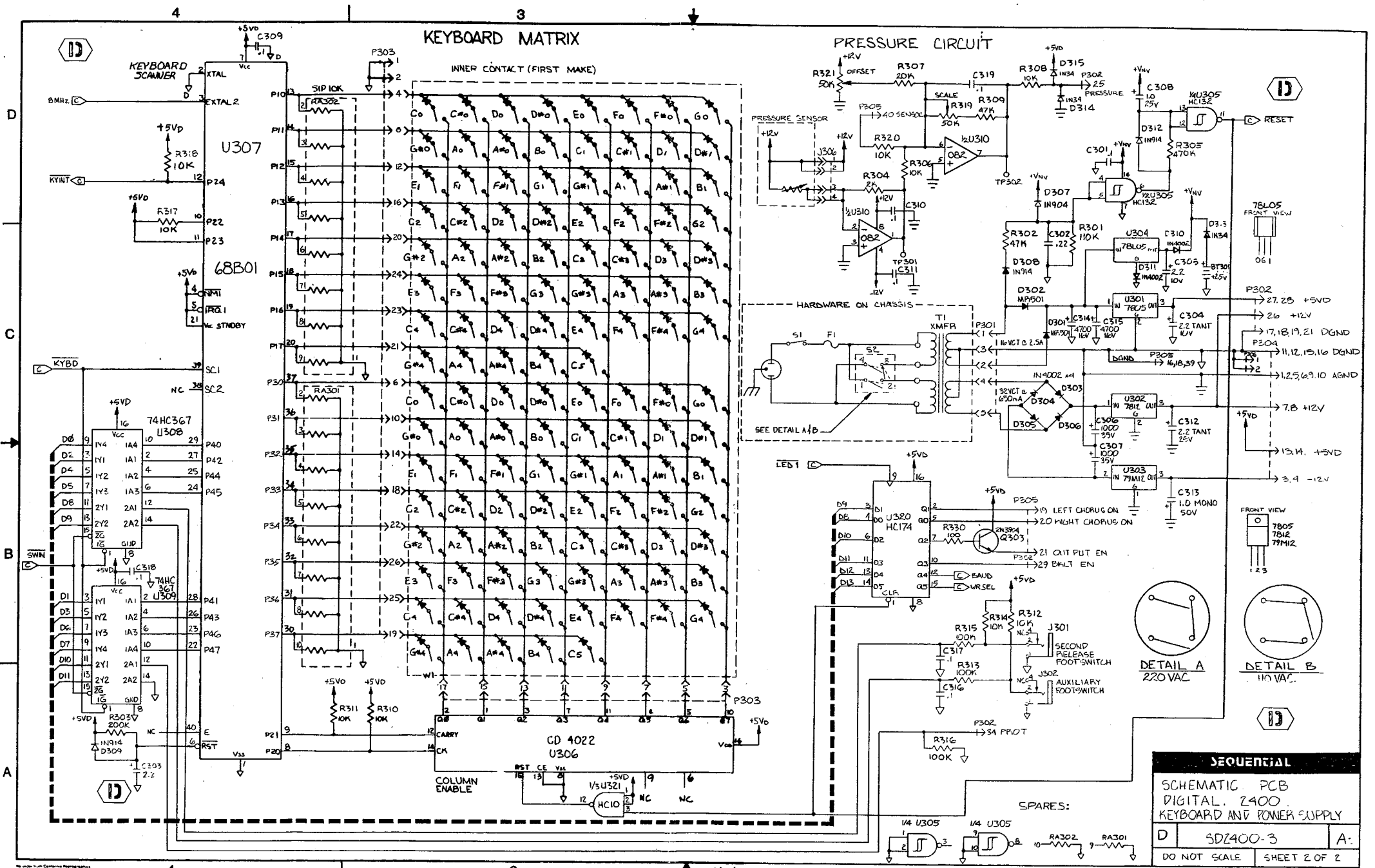
TITLE: SCHEMATIC, PCB, RIGHT FRONT PANEL AND MAIN CARTRIDGE, 2400

OWN	DATE	BY

SIZE	DRAWING NO.	REV
D	2400-246	A

SCALE: N/A SHEET 1 OF 1

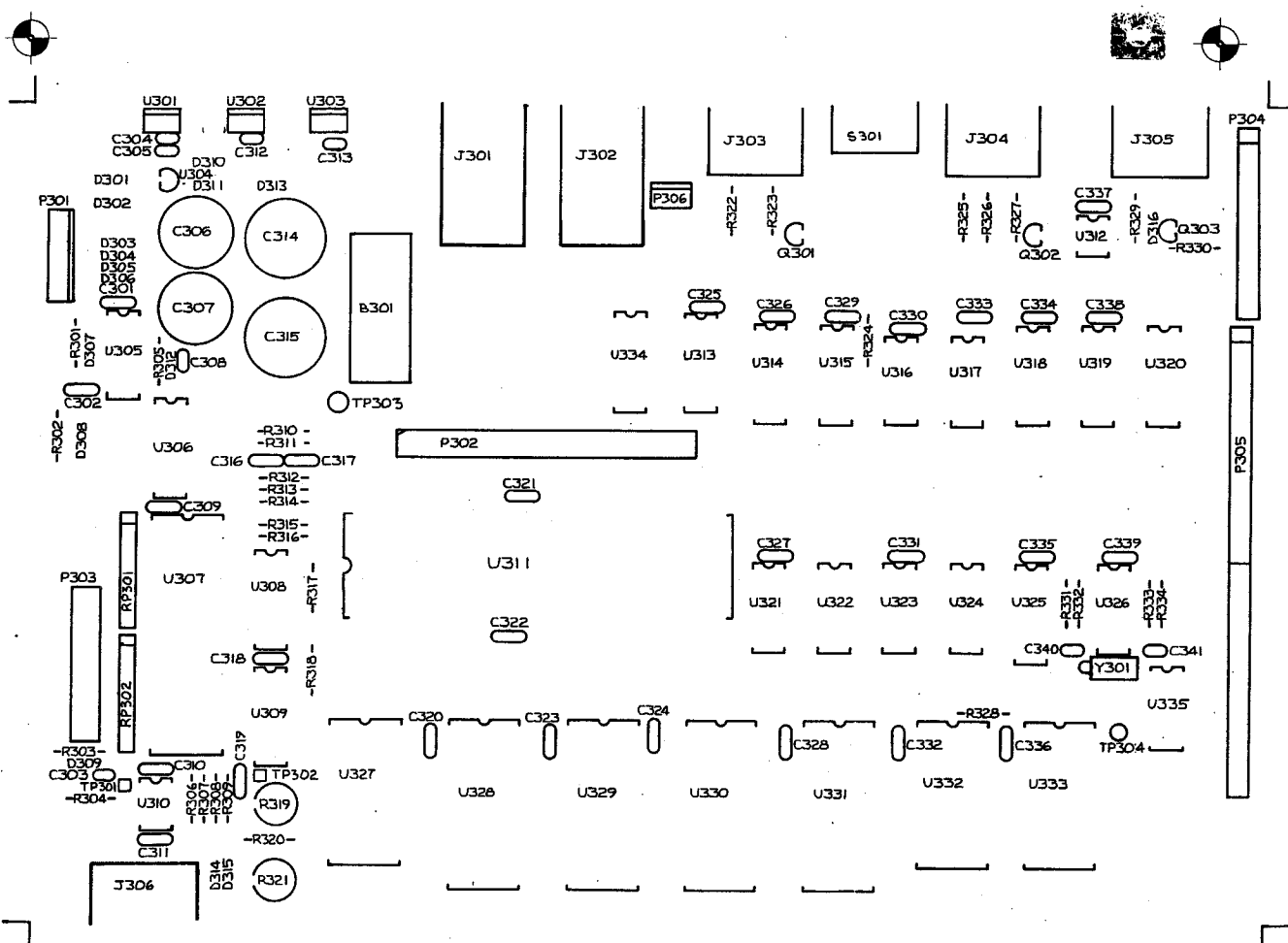




SEQUENTIAL		
SCHEMATIC PCB		
DIGITAL. Z400		
KEYBOARD AND POWER SUPPLY		
D	SDZ400-3	A:
DO NOT SCALE		SHEET 2 OF 2

4-10

PP2400-3



SEQUENTIAL									
REV	DATE	BY	CHK	APP	REV	DATE	BY	CHK	APP
1									
2									
3									
4									
5									
6									
7									
8									
9									
10									

LAST USED	NOT USED
C341	
D316	
J306	
P306	
Q303	
R334	
U335	

SEQUENTIAL									
REV	DATE	BY	CHK	APP	REV	DATE	BY	CHK	APP

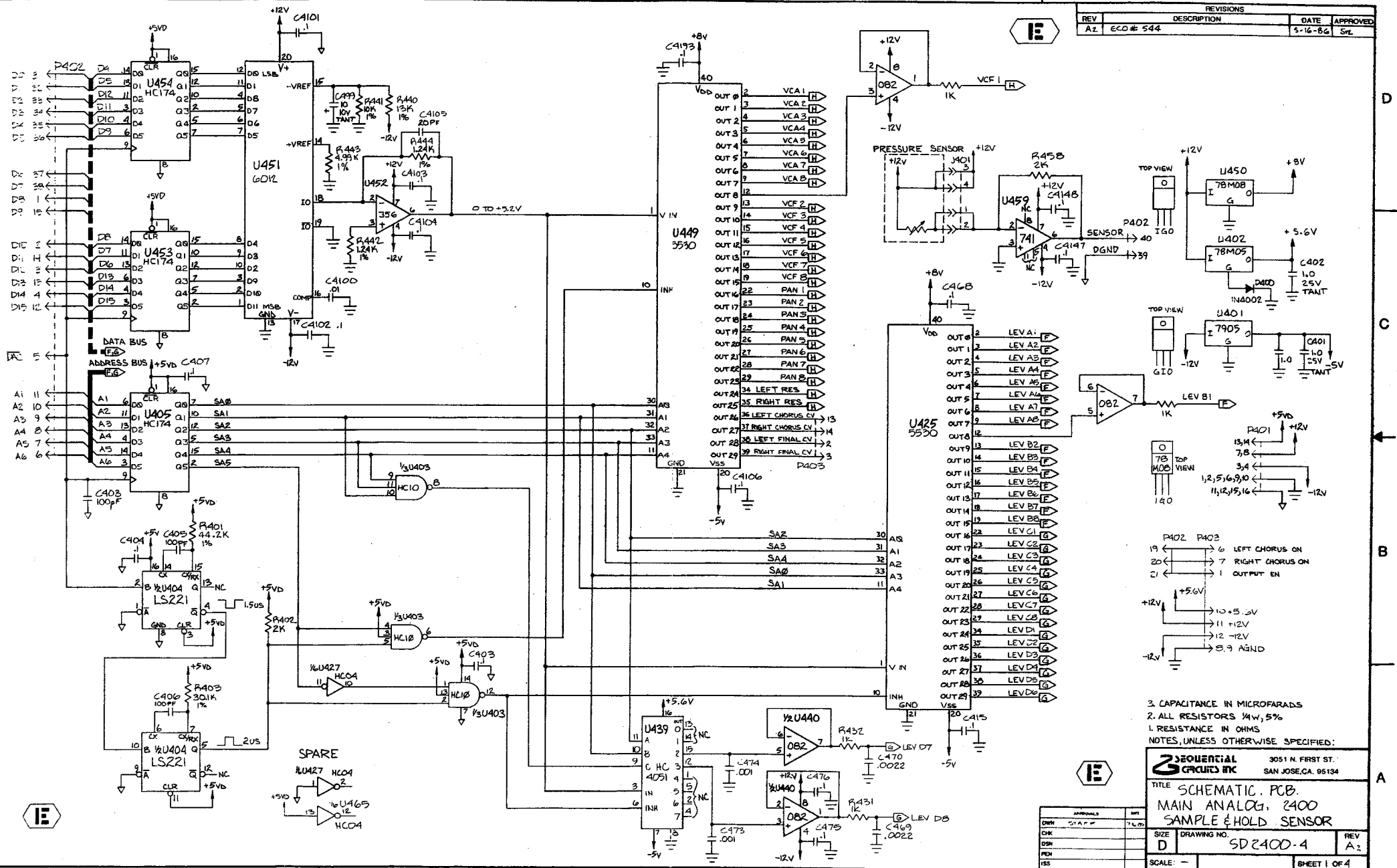
4

3

2

1

REVISIONS			
REV	DESCRIPTION	DATE	APPROVED
AZ	ECO # 544	5-16-86	SFL



- 3. CAPACITANCE IN MICROFARADS
- 2. ALL RESISTORS 1/4W, 5%
- 1. RESISTANCE IN OHMS
- NOTES, UNLESS OTHERWISE SPECIFIED:

SEQUENTIAL CIRCUITS INC. 3051 N. FIRST ST. SAN JOSE, CA. 95134

TITLE: SCHEMATIC, PCB.
 MAIN ANALOG, 2400
 SAMPLE & HOLD SENSOR

SIZE	DRAWING NO.	REV
D	SD 2400-4	A2

SCALE: - SHEET 1 OF 4

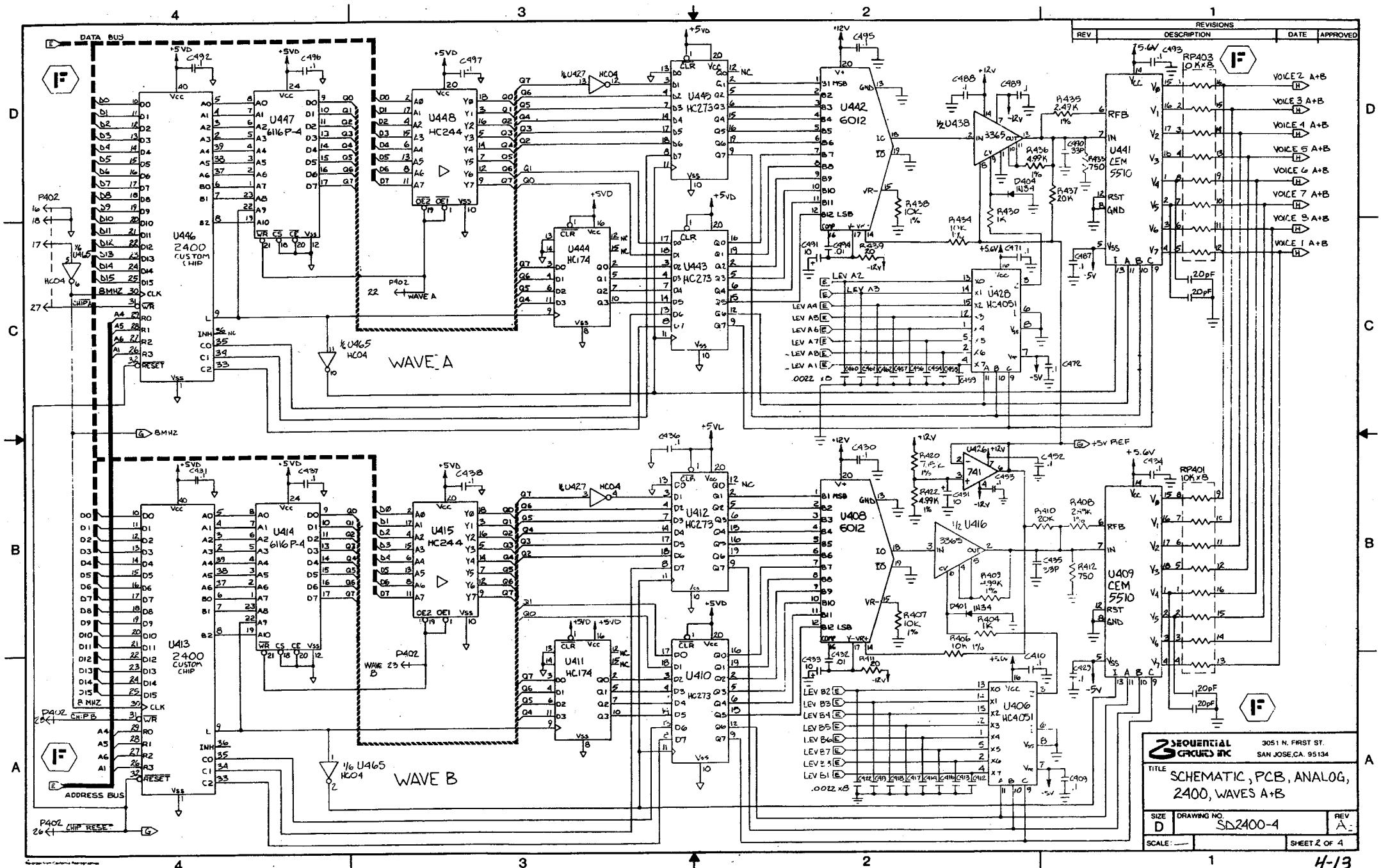
4-12

4

3

2

1

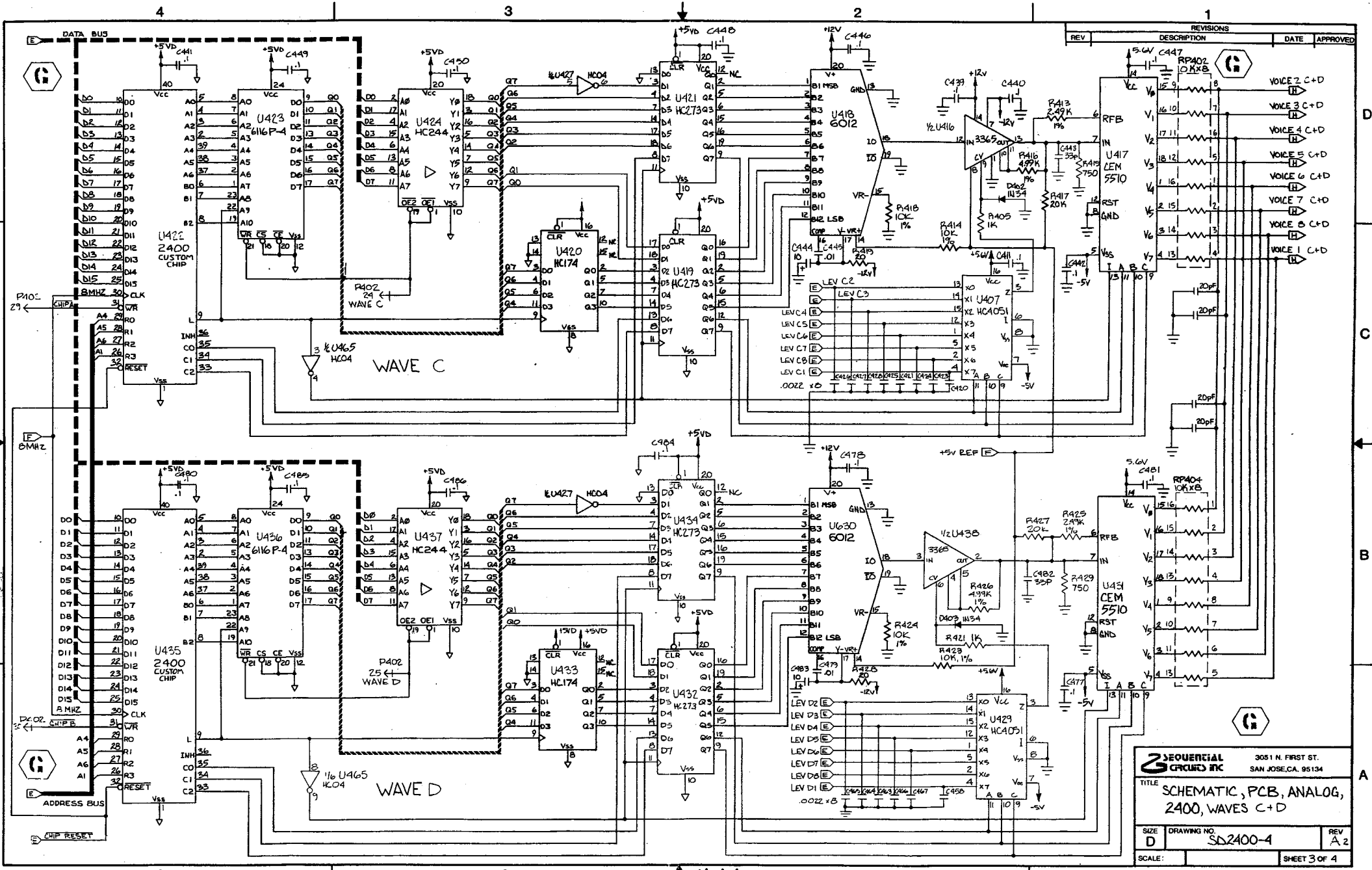


REV	DESCRIPTION	DATE	APPROVED

SEQUENTIAL CIRCUITS INC.
 3051 N. FIRST ST.
 SAN JOSE, CA. 95134

TITLE: SCHEMATIC, PCB, ANALOG, 2400, WAVES A+B

SIZE D	DRAWING NO. SD2400-4	REV. A
SCALE: —	SHEET 2 OF 4	



REV	DESCRIPTION	DATE	APPROVED

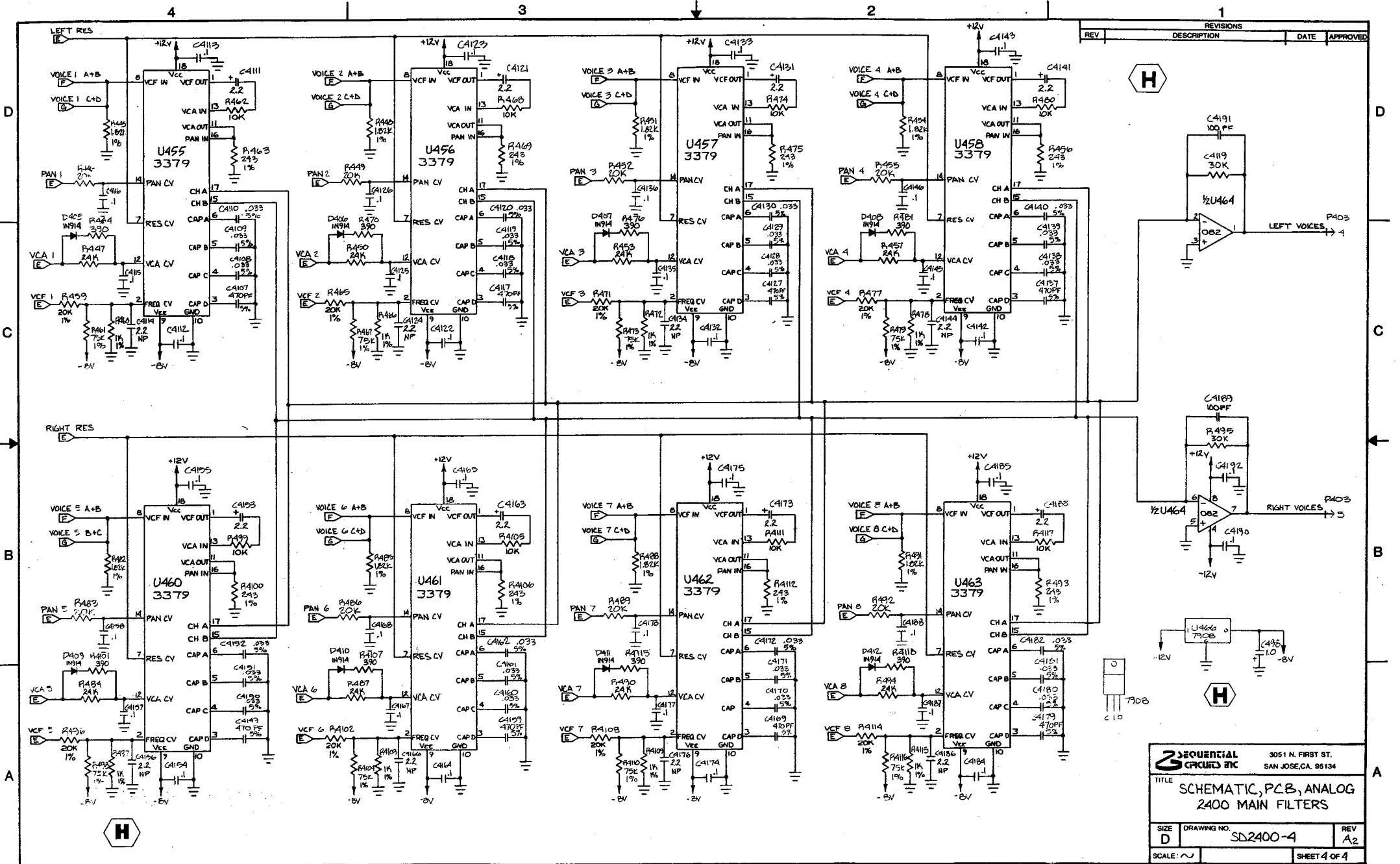
SEQUENTIAL CIRCUITS INC.
 3051 N. FIRST ST.
 SAN JOSE, CA. 95134

TITLE: SCHEMATIC, PCB, ANALOG, 2400, WAVES C+D

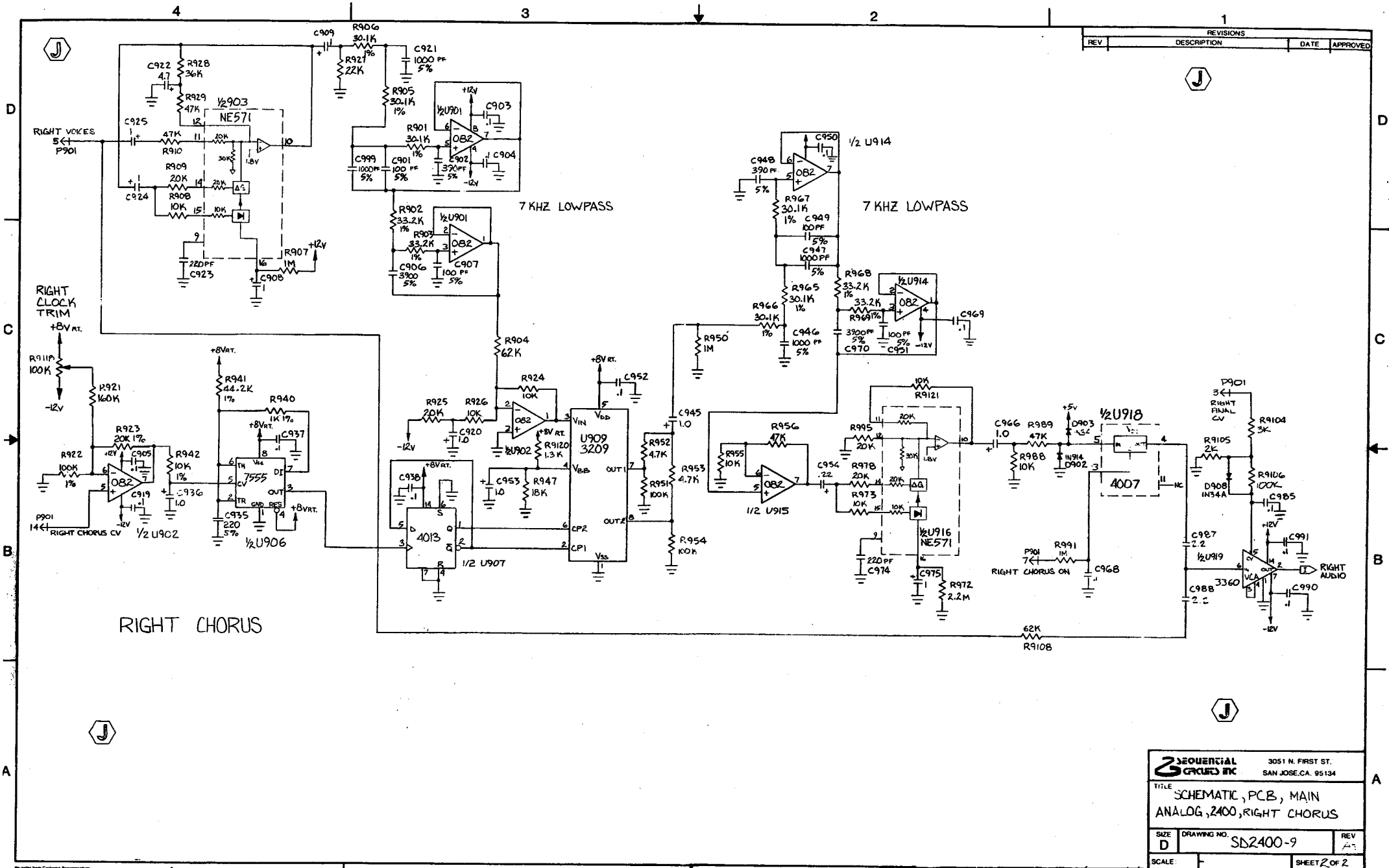
SIZE: D	DRAWING NO.: SD2400-4	REV: A 2
SCALE:	SHEET 3 OF 4	

4-14

REVISIONS			
REV	DESCRIPTION	DATE	APPROVED



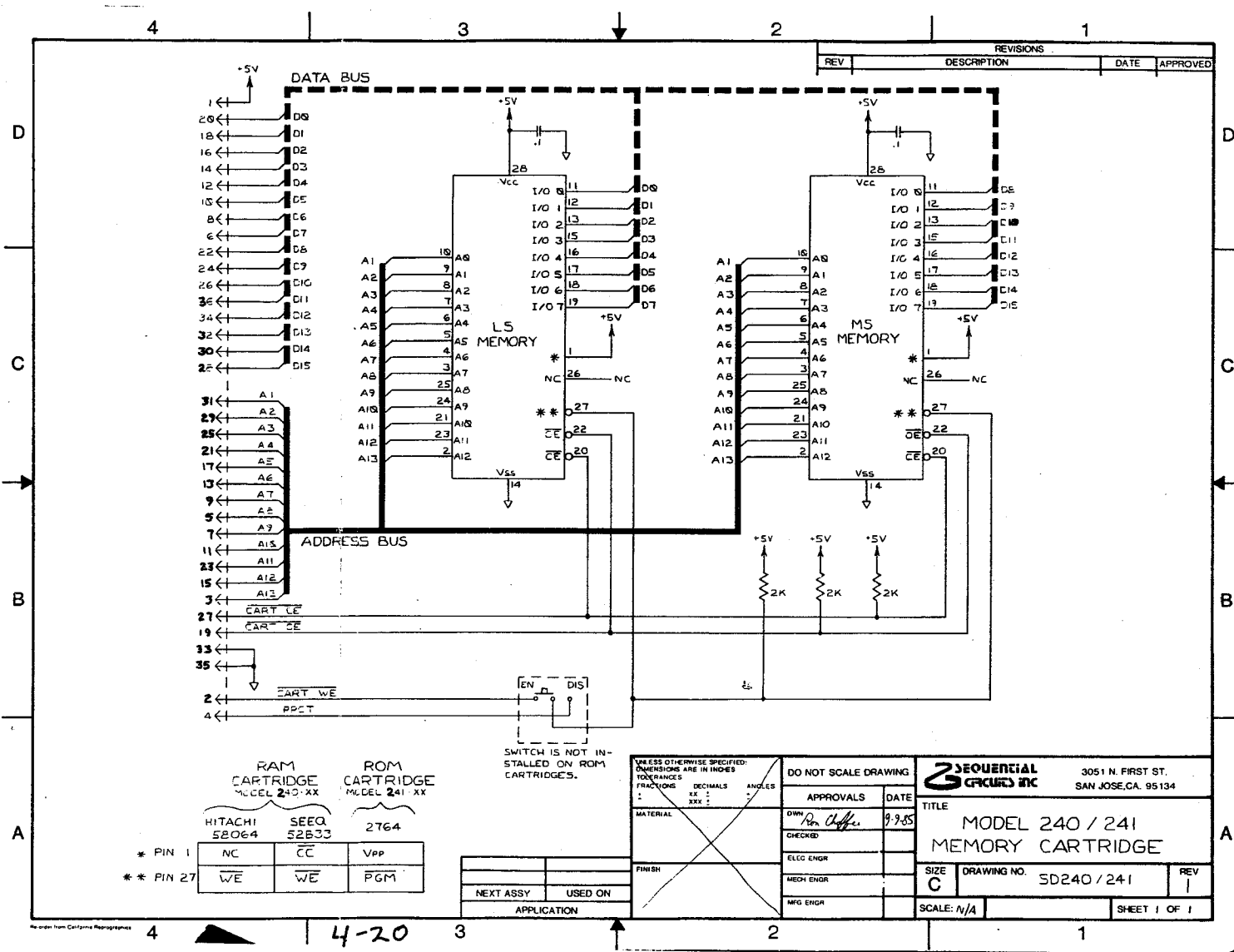
		3051 N. FIRST ST. SAN JOSE, CA. 95134	
TITLE SCHEMATIC, PCB, ANALOG 2400 MAIN FILTERS			
SIZE D	DRAWING NO. SD2400-4	REV A2	
SCALE: ~		SHEET 4 OF 4	



REVISIONS			
REV	DESCRIPTION	DATE	APPROVED

		3051 N. FIRST ST. SAN JOSE, CA. 95134	
TITLE: SCHEMATIC, PCB, MAIN ANALOG, 2400, RIGHT CHORUS			
SIZE: D DRAWING NO.: SB2400-9 SCALE:	REV: A SHEET 2 OF 2		1

4-18



REVISIONS			
REV	DESCRIPTION	DATE	APPROVED

D
C
B
A

D
C
B
A

RAM CARTRIDGE MODEL 240-XX		ROM CARTRIDGE MODEL 241-XX	
HITACHI 58064	SEEG 52B33	2764	
* PIN 1	NC	CC	Vpp
** PIN 27	WE	WE	PGM

SWITCH IS NOT INSTALLED ON ROM CARTRIDGES.

UNLESS OTHERWISE SPECIFIED:
DIMENSIONS ARE IN INCHES
TOLERANCES
FRACTIONS
DECIMALS
ANGLES
MATERIAL
FINISH

DO NOT SCALE DRAWING	
APPROVALS	DATE
DWN <i>Per Office</i>	9-9-85
CHECKED	
ELCO ENGR	
MECH ENGR	
MFG ENGR	

		3051 N. FIRST ST. SAN JOSE, CA. 95134	
TITLE			
MODEL 240 / 241 MEMORY CARTRIDGE			
SIZE	DRAWING NO.	REV	
C	SD240 / 241	1	
SCALE: N/A	SHEET 1 OF 1		